

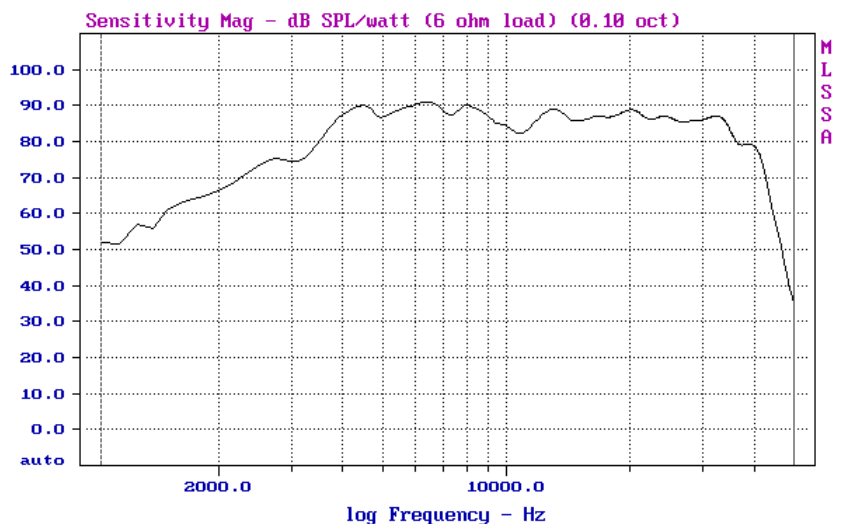
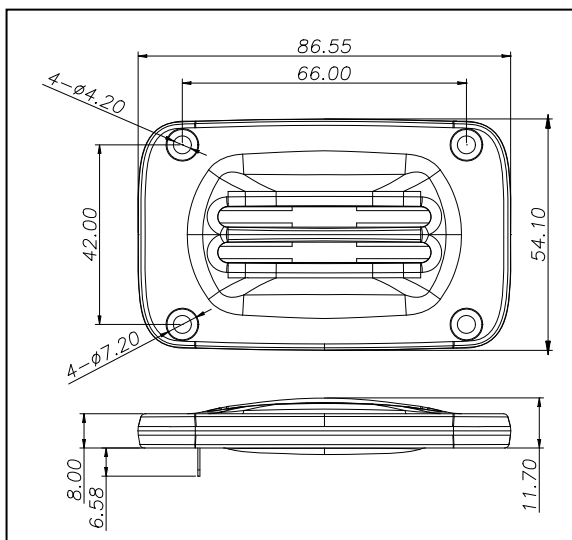
Features:

- Ribbon Tweeter
- 3K to 40K Hz Response
- 88dB Sensitivity
- Linear Impedance
- Laminated Aluminum Diaphragm
- Ultra-thin Diaphragm



Specifications:

Nominal Impedance	6 Ohm
Frequency Response	3K Hz ~ 40K Hz
Sensitivity	88 dB @ 1W/1m
Recommended Crossover	More than 3.5 K Hz
Power Handling	15 W Continuous / 3 rd Crossover, $Q \leq 0.707$
Diaphragm	Laminated Aluminum
Magnet	Nd-Fe-B Neodymium
Weight	41 grams



BESTON Technology Corporation

Office: 5F-13, No. 9, Ai Kuo West Rd., Taipei 100, Taiwan

TEL: (886)-2-23892956 FAX: (886)-2-23892952

E-Mail: s272@ms45.hinet.net